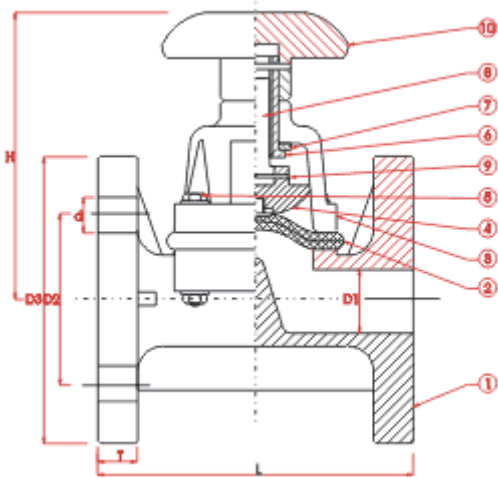


**:: Dimension :::::**



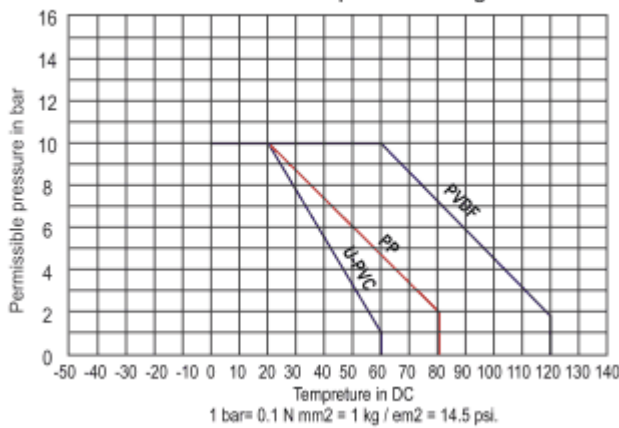
| TOLERANCE L&T DIMENSIONS ARE $\pm 2\text{mm}$ |                     |     |                      |
|-----------------------------------------------|---------------------|-----|----------------------|
| No.                                           | PARTS               | QTY | MATERIAL             |
| 1                                             | BODY                | 01  | ISOTACTIC PP         |
| 2                                             | DIAPHRAGM           | 01  | NEOPRENE             |
| 3                                             | BONNET              | 01  | ISOTACTIC PP         |
| 4                                             | COMPRESSOR          | 01  | ALUMINIUM/C.I.       |
| 5                                             | BOLT,NUT,<br>WASHER | 04  | M.S. ZINC PLATED     |
| 6                                             | NUT                 | 01  | M.S.                 |
| 7                                             | WASHER              | 01  | M.S.                 |
| 8                                             | STEM                | 01  | M.S.                 |
| 9                                             | PIN                 | 02  | M.S.                 |
| 10                                            | HAND WHEEL          | 01  | ISOTACTIC<br>PP/C.I. |

| SIZE | D1   | D2    | D3    | T    | L   | H   | d  | Nos. of HOLES |
|------|------|-------|-------|------|-----|-----|----|---------------|
| 15   | 12.7 | 66.7  | 95.0  | 15.0 | 101 | 82  | 16 | 4             |
| 20   | 19.0 | 73.0  | 101.6 | 15.0 | 117 | 110 | 16 | 4             |
| 25   | 25.4 | 82.5  | 114.3 | 16.0 | 126 | 120 | 16 | 4             |
| 32   | 32.0 | 87.3  | 133.0 | 17.0 | 158 | 158 | 16 | 4             |
| 40   | 38.1 | 98.4  | 133.0 | 17.0 | 158 | 158 | 16 | 4             |
| 50   | 50.8 | 114.3 | 152.0 | 21.0 | 190 | 177 | 19 | 4             |

All dimensions are in mm \* PN = Pressure Rating Kg / cm<sup>2</sup> \*\* Cv Value =  $\emptyset$   
 \*\*\* CV Value = No. of u.s. gallons per minute of Water that will flow through valve with one psi pressure drop (1 U.S. gal. = 3.78 liters)

**:: Diagram :::::**

Pressure Temperature Diagram



Flow Characteristics

