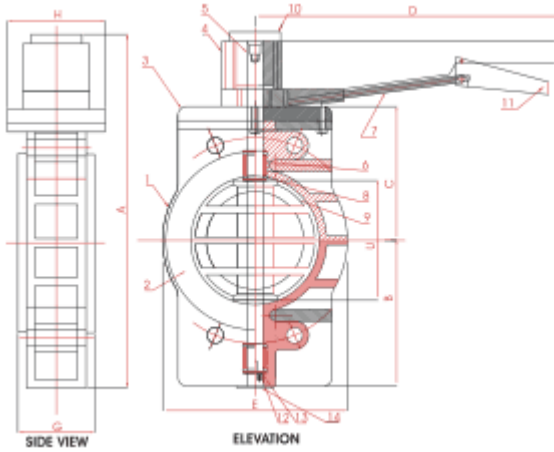


Dimension :::::::::::::::



TOLERANCE L&T DIMENSIONS ARE ± 2mm

No.	PARTS	QTY	MATERIAL
1	BODY	01	ISOTACTIC PP
2	DISC	01	ISOTACTIC PP
3	COVER	01	ISOTACTIC PP
4	HANDLE	01	GLASS FILLED WITH S.S. INSERTS
5	SHAFT	01	S.S.-316
6	BUSHING	03	PVDF
7	LEVER ROD	01	S.S.-316
8	BUSHING 'O' RING	05	VITON
9	SEALING RING	01	VITON
10	CAP	01	ISOTACTIC PP
11	RATCHET LEVER	01	ISOTACTIC PP
12	SPRING WASHER	02	S.S.-316
13	CAP SCREW	01	S.S.-316
14	PLUG	01	ISOTACTIC PP

SIZE	DN	A	B	C	D	E	G	H	U
80	80	337	108	138	270	160	64	92	85
100	100	337	108	138	270	160	64	92	85
150	150	416	140	170	355	216	70	115	135
200	200	498	175	215	410	272	71	121	189

All dimensions are in mm. * PN = Pressure Rating.
 ** Kv = Value of Flow Characteristics

:: Diagram :::::::::::::::

